

FAG

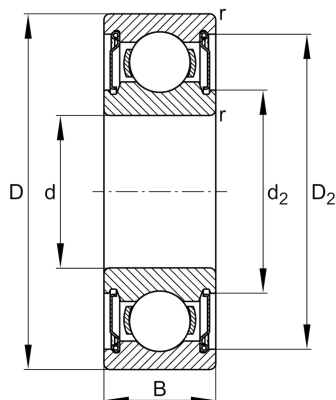
**6216-H-2Z-SN**

Deep groove ball bearing

Schaeffler ID:  
0948197000000

Deep groove ball bearing 62...H-2Z, single row, H-Series, shields, steel sheet metal cage

## Technical information



## Main Dimensions &amp; Performance Data

d	80 mm	Bore diameter
D	140 mm	Outside diameter
B	26 mm	Width
$C_r$	65.910 N	Basic dynamic load rating, radial
$C_{0r}$	50.110 N	Basic static load rating, radial
$C_{ur}$	2.950 N	Fatigue load limit, radial
$n_G$	5.700 1/min	Limiting speed
$n_{gr}$	5.600 1/min	Reference speed
	1,45 kg	Weight

## Dimensions

$r_{min}$	2 mm	Minimum chamfer dimension
$D_2$	123,7 mm	Caliber diameter outer ring
$d_1$	99,2 mm	Shoulder diameter inner ring

## Mounting dimensions

$d_{a min}$	91 mm	Minimum diameter shaft shoulder
$D_{a max}$	129 mm	Maximum diameter of housing shoulder
$r_{a max}$	2 mm	Maximum fillet radius

## Calculation factors

$f_0$	14,9	Calculation factor
-------	------	--------------------

## Temperature range

$T_{min}$	-20 °C	Operating temperature min.
$T_{max}$	120 °C	Operating temperature max.

